

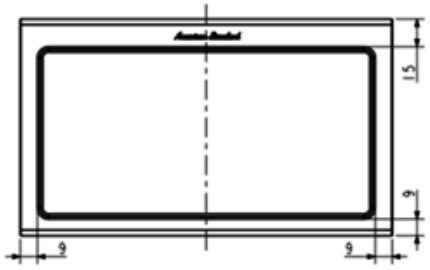
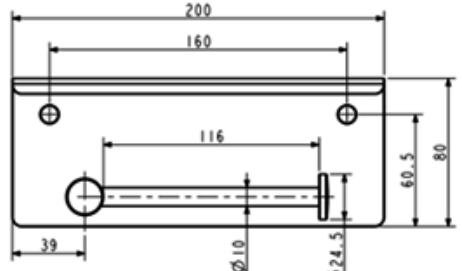
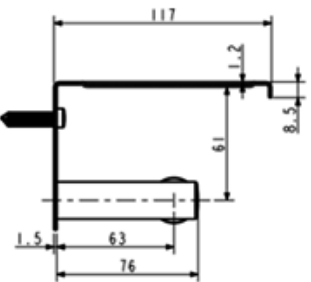




PROJECT		REF		REV	ITEM CODE	
LOCATION		DATE			PAGE	

SANITARY WARE SPECIFICATION SHEET

<p>Item Descriptions</p> <p>American Standard (PRC) Single tissue holders with shelf</p>	<p>Dimensions</p> <p>L200 x W117 x H80 mm</p> <p>Model</p> <p>CF-1498.908.50</p> <p>Finish / Material</p> <p>Polish Steel Finish / Chrome Plated</p> <p>Manufacturer</p> <p>American Standard (PRC)</p> <p>Source</p> <p>Acme Sanitary Ware Co. Ltd Mr. Eric Wong / Mr. Don Yuen</p> <p>Contact Tel/Fax</p> <p>(852) 2388-7171 / (852) 2710-8012</p> <p>E-mail</p> <p>acme@acmesanitary.com.hk</p> <p>Website</p> <p>www.acmesanitary.com.hk</p>	<p style="text-align: center;">Illustration/ Drawing</p>     
<p>Material:</p> <ul style="list-style-type: none"> Shelf – Polished steel finish Others– Chrome Plated <p>Detail specifications:</p> <ul style="list-style-type: none"> Concept Square – Single Tissue Holders W/ Shelf Modern design SUS304 stainless steel shelf, polished finish Zinc die casting support pole SUS201 cross bar & screw Black color box packaging 		

Note:

* All information of the above is for reference only. No prior notice is made if any changes.